

Corn Heads





TABLE OF CONTENTS

ABOUT US	04
GERINGHOFF ACROSS THE GLOBE	06
THE HISTORY OF THE CORN HEAD	10
THE GERINGHOFF ROW UNITS	12
THE STRONG POINTS OF OUR CORN HEADS	14
MAIS STAR*	16
MAIS STAR* SC	18
MAIS STAR* HORIZON	20
THE MSH ROW UNIT	22
ROTA DISC®	24
HORIZON STAR* II	26
HORIZON STAR* III	28
THE RD ROW UNIT	30
YOUR ADVANTAGES AT A GLANCE	34
ACCESSORIES	36
FREEDOM	40
MAIS STAR* COLLECT	42
INTERMEDIATE CROP CONVEYOR ASSEMBLY (ZFA)	44
GERINGHOFF SERVICE & ORIGINAL SPARE PARTS	46
SPECIFICATIONS	48



ABOUT US

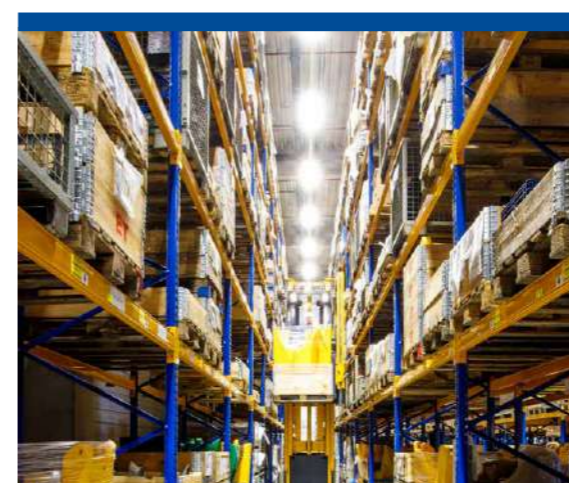
Geringhoff is a leading manufacturer of technical solutions for agricultural harvesters. Founded back in 1880, Geringhoff evolved from a small metal-forging company and farm machinery trader into the modern and international manufacturer of farm equipment of today, which continues to be run as a family business by the fifth generation. Our main product lines include corn heads, draper heads, folding headers as well as sunflower and sorghum heads. but also produce equipment for animal feed processing. As a manufacturer of premium-level equipment, it is our goal to take the hard work out of your harvest processes and increase your productivity. Our developers tap into decades of corporate experience, which puts them in the position to design machines of superior quality, maximum functionality and easiest use. Today, Geringhoff employs about 500 people at its German headquarters and operates subsidiaries in the USA, Ukraine and France.



R&D



MANUFACTURING

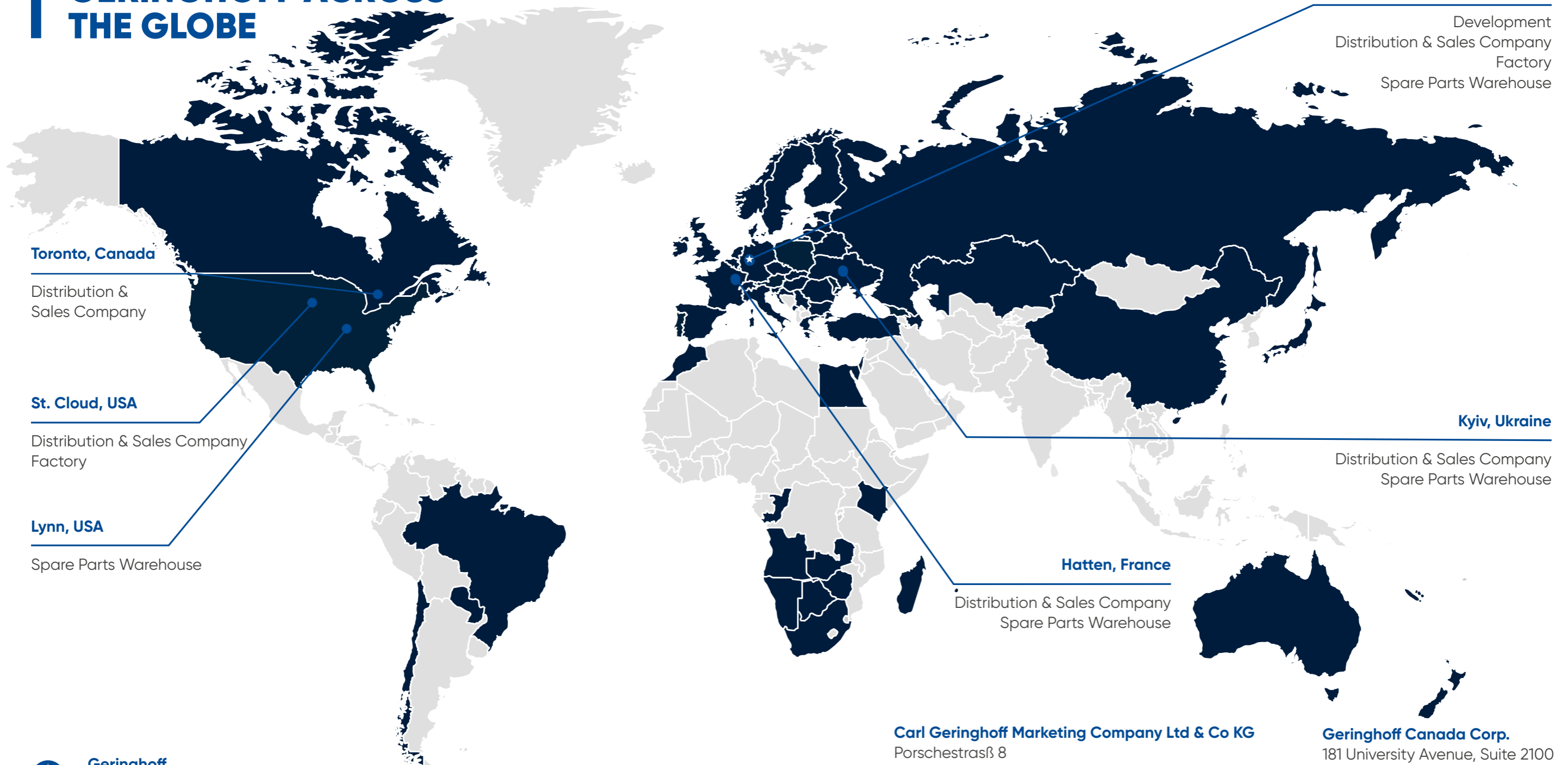


PARTS WAREHOUSE



SERVICE

GERINGHOFF ACROSS THE GLOBE



Toronto, Canada

Distribution & Sales Company

St. Cloud, USA

Distribution & Sales Company
Factory

Lynn, USA

Spare Parts Warehouse

Ahlen, Germany

Development
Distribution & Sales Company
Factory
Spare Parts Warehouse

Kyiv, Ukraine

Distribution & Sales Company
Spare Parts Warehouse

Hatten, France

Distribution & Sales Company
Spare Parts Warehouse

Geringhoff Headquarters

Geringhoff Locations

Geringhoff Sales Territories



Open the camera app on your smartphone, scan the QR Code and view the contact information of all our sales partners.

Carl Geringhoff Marketing Company Ltd & Co KG

Porschestraß 8
D-59227 Ahlen
Germany

Geringhoff Distribution LP

3405 Energy Drive
St. Cloud, MN 56304
USA

Geringhoff Distribution LP

7496 US-27
Lynn, IN 47355
USA

Geringhoff Canada Corp.

181 University Avenue, Suite 2100
Toronto, Ontario M5H 3M7
Canada

MRA GmbH

14a Route de Wissembourg
67690 Hatten
France

Geringhoff Ukraine LLC

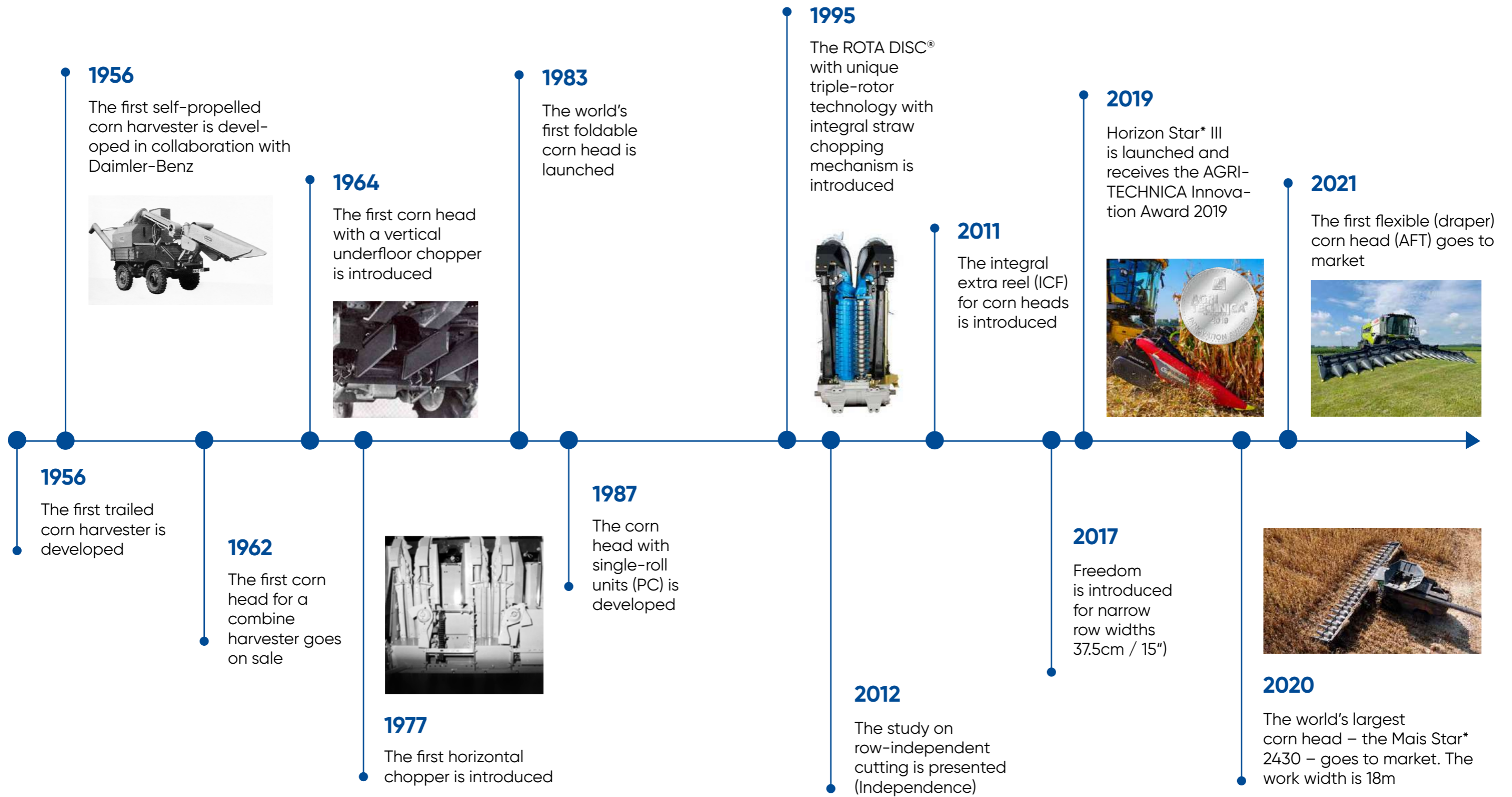
2F, Lisova Str.
Vasylkivskiy distr., Kyiv region
Marhalivka, 08633 Ukraine



THE WORLD'S LARGEST CORN HEAD AT WORK

Country: South Africa
Machine: Mais Star* 2430

THE HISTORY OF THE CORN HEAD



MAIS STAR* **MAIS STAR* SC** **MAIS STAR* HORIZON**



- Two-roll row unit
- Four sharp knives
- Four working edges



- Two-roll row unit
- Four sharp knives
- Four working edges
- Mid-mounted horizontal chopper



- Two-roll row unit
- Four sharp knives
- Four working edges
- Side-mounted horizontal chopper
- Mulching deck

CORN STRAW AND STUBBLE MANAGEMENT

- Minimizes stover destruction
- Leaves the corn stubble untreated

- Chops corn straw to 8-20cm lengths
- Uniform straw distribution in the field
- Short and uniform corn stubble

- Chops corn straw to 5-12cm lengths
- Distributes the straw at full width
- Very short and uniform corn stubble



- 4 - 24 rows
- 4 - 24 rows
- 45 - 100+ cm
- 12, 16, 18 rows

- 4 - 18 rows
- 4 - 18 rows
- 45 - 100 cm

- 4 - 18 rows
- 4 - 18 rows
- 50 - 100 cm

ROTA DISC® **HORIZON STAR* II** **HORIZON STAR* III**



- Patented three-roll row unit
- Two snapping rolls of different diameters
- One rotor with 15 cutting discs
- Auger-mounted stalk cutters



- Patented three-roll row unit
- Two snapping rolls of different dimensions
- One rotor with 15 cutting discs
- Side-mounted Horizontal chopper



- Patented three-roll row unit
- Two snapping rolls of different dimensions
- One rotor with 15 cutting discs
- Side-mounted horizontal chopper with angled counter edge for the hybrid knife

CORN STRAW AND STUBBLE MANAGEMENT

- The straw is chopped in diagonal cuts to very short lengths (3-8cm)
- The stalk cutter splices the stubble from top to bottom

- Minimizes stover destruction
- Excellent straw distribution in the field
- Produces very fine chops
- Very short and uniform corn stubble

- Minimizes corn straw destruction
- Optimum and full-width straw distribution
- Destroys the corn stubble during the harvesting pass
- Rips down the corn stubble for effective corn borer control



- 4 - 24 rows
- 4 - 24 rows
- 50 - 100 cm
- 12, 16, 18 rows

- 4 - 12 rows
- 4 - 12 rows
- 70 - 100 cm

- 6 - 8 rows
- 4 - 8 rows
- 70 - 100 cm

NON-FOLDING FOLDING ROW WIDTHS AFT

THE STRONG POINTS OF GERINGHOFF CORN HEADS

+ The end row auger

Reduces losses and makes harvesting down corn more effective

+ The massive feed auger

Adjusts steplessly for optimum adaptation to conditions

+ The plastic body

The optimized weight and first-class design translate into superior performance even in down corn

+ The auger trough

Ideally formed, it has an especially low curb weight



+ The tips are adjusted without tools

Easy adjustment from a handwheel

+ Hydraulic deck plate control

Ensures the optimum adaptation to your specific conditions

+ Ear savers

For an effective reduction of cob losses

+ Optional ear savers

For minimized losses. Quick-fit couplers for fast attachment and removal

+ Aluminum gearbox

Saves weight, dissipates heat effectively and extends machine life significantly

+ Gathering chains

The gathering chains are tensioned automatically for minimum maintenance and smooth operation.



THE LONG-DISTANCE RUNNER

MAIS STAR*

Mais Star* suggests innovation, efficiency and sustainability. With its unique snapping rolls, this head sets new benchmarks in sustainable farming. It stands for optimized harvest results, minimized environmental impacts and a promising prospects for the agricultural industry. The two-rotor technology of Mais Star* requires a minimum of input power for loss-free and efficient harvesting at high ground speeds. Thanks to its great efficiency and modular design, the head can combine 24 row units and more.

Experience Mais Star* – the break-through evolution in corn harvesting

THE STAND-OUT FEATURES

Efficient picking system: The key features of Mais Star* are the two contra-rotating snapping rolls with four sharp knives and four working edges for efficient and consistent picking processes. This innovative technology tears down the stalks vigorously and yet in controlled way as the deck plates separate the cobs with precision.

Minimum soil disturbance: Mais Star* is gentle on the soil and its microorganisms. As such, it is the ideal corn head for no-till and strip-till systems.

Stubble is not chopped: Mais Star* is designed for leaving the corn straw unchopped, because unchopped stubble increases soil moisture retention – The unchopped straw mulch is left in field and provides effective protection against erosion and evaporation.



Learn more : Open the camera app on your smartphone and scan the QR Code.



THE ENTRY-LEVEL MODEL

MAIS STAR* SC

Discover the Mais Star* SC and its innovative horizontal chopper which efficiently chops straw and stubble and achieves a new dimension of stubble incorporation. A unique combination of output and precision, it stands out for exceptional results in the field.

Mais Star* SC secures high yields and makes your harvest a success.

THE STAND-OUT FEATURES

Well-proven picking system: Operating to the well-proven Mais Star* principle, two counter-rotating snapping rolls, each with four knives and four working edges, tear down the stalks in a forceful and controlled motion. Integrated at the end of each row unit in a mid-mounted position, the horizontal chopper shreds the corn stalks at minimum input power.

Saves valuable time and money: Producing high-quality chops, the horizontal chopper reduces the number of post-harvest mulching or chopping passes, saving time, labor and fuel.

Efficient straw incorporation: Suitable for row widths of 45cm and more, the integral horizontal chopper cuts the stubble at consistent heights for optimum soil protection and a uniform distribution of the straw, which encourages decomposition and soil fertility.



Learn more : Open the camera app on your smartphone and scan the QR Code.



THE ALL-ROUNDER

MAIS STAR* HORIZON

Mais Star* Horizon combines great versatility with top-notch technology. Its unique combination of the horizontal chopper and the snapping rolls sets new standards in stubble treatment and straw management. This corn head stands out for its top-notch performance, optimal harvest quality and maximum field hygiene.

Immerse yourself in the world of Mais Star* Horizon – where innovation meets excellence.

THE STAND-OUT FEATURES

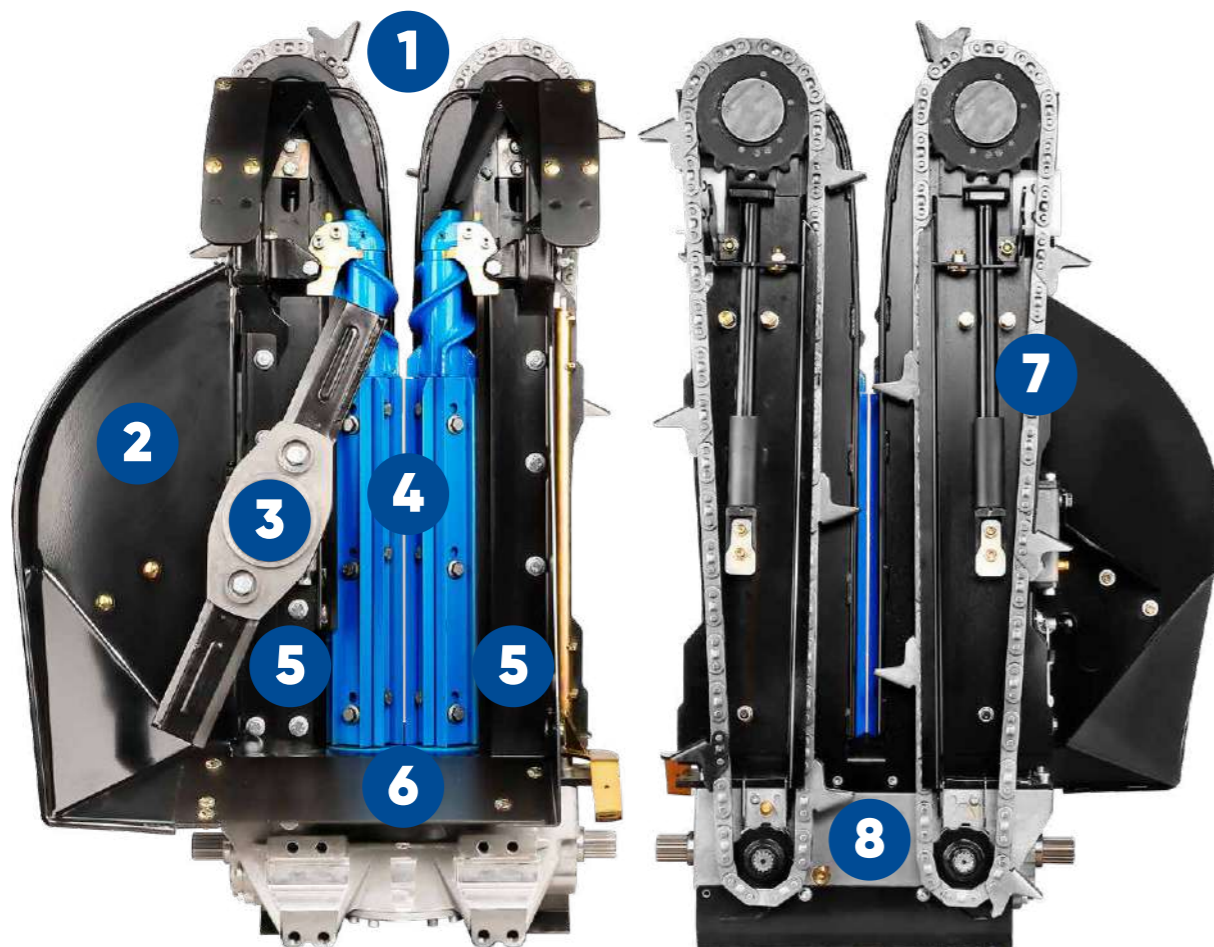
Versatile technology: The Mais Star* Horizon is based on the well-proven design and functionality of Mais Star*. Two contra-rotating snapping rolls tear down the stalks and simultaneously cut them with four sharp knives and four working edges on each roll while the side-mounted horizontal chopper on each row unit chops the straw efficiently. In addition, the Mais Star* Horizon has a mulching deck that ensures smallest chops and thereby minimizes mulching and further chopping passes.

Effective straw chopping: Mais Star* Horizon has an integral horizontal chopper for 50cm and wider rows. This chopper guarantees the shortest cutting lengths and an excellent and uniform distribution of the straw. The excellent quality of chop and the extremely small chops reduce fusaria pressure.



Learn more : Open the camera app on your smartphone and scan the QR Code.

EXPLORE THE INDIVIDUAL COMPONENTS THAT MAKE UP OUR MSH ROW UNIT.



BOTTOM-UP VIEW

TOP-DOWN VIEW

1 INTAKE

The Twin bearings on the front ends of the snapping rolls give maximum reliability. The rolls have tungsten carbide flights and hardened scrapers for outstanding longevity and reliable operation.

2 MULCHING DECK

This deck translates into a superior mulching effect, consistent chops and a uniform distribution of the material – for optimum results.

3 HORIZONTAL CHOPPER

Our horizontal chopper is powered by an optimal driveline that is made from aluminum-magnesium alloy and benefits from Zerol®-splined bevel gears and an integral slip clutch. As an option, the unit switches on and off without the need of a tool.

4 SNAPPING ROLLS

Durable tungsten carbide knives with a special coating stand out for great longevity. Additional working edges effectively reduce the amount of debris and straw that may collect in the threshing system, thereby boosting the overall threshing capacity and facilitating higher forward speeds.

5 SCRAPERS

Our scrapers offer absolute protection against wrapping – even in the most arduous conditions. They adjust infinitely variably for a long lifespan.

6 GEARBOX CONNECTOR

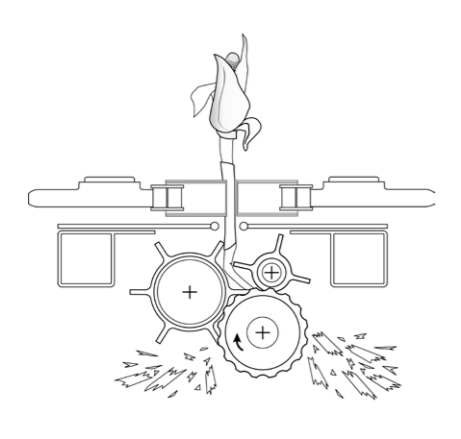
The multi-spline shaft makes the connection to the gearbox for smooth transmission of the power flow. Its labyrinth seal provides effective protection against the ingress of dirt.

7 GATHERING CHAINS

The chain tensioner interacts perfectly with the patented sprocket drive for optimum protection against blockages caused by solid objects and any resulting damage to the gearbox.

8 ROW UNIT GEARBOXES

Our gearboxes on the row units are housed in light-weight casings made of a robust aluminum-magnesium alloy. The gearbox itself has a maintenance-free cam clutch for reliable overload protection of the snapping rolls.



THE REVOLUTIONARY

ROTA DISC®

The Rota Disc® is an innovative technology that revolutionizes your corn harvest. Rota Disc® features a patented picking system that is made up of three rolls with diagonally cutting discs. This combination presents the most efficient chopping technology on the market and guarantees that all residues are processed thoroughly during the picking process.

Experience Rota Disc® and its maximum efficiency and quality of work.

THE STAND-OUT FEATURES

Revolutionary technology: Featuring the unique three-roll picking system, Rota Disc® marks a breakthrough in maize harvesting technology. This technology processes and chops residues effectively and promotes fast rotting and a better soil structure.

Optimizes stover destruction: Two differently sized snapping rolls trap the plants and tear them down in a controlled move as they are severed gently off their roots. At the same time, the 15 cutting discs on the contra-rotating snapping roll make diagonal cuts for excellently defibrated residues that rot rapidly.

High efficiency and capacity: Rota Disc® stands out for a remarkably low input requirement and as such it is able to cut multiple rows in a single pass, satiating even the hungriest combine harvesters on the market and chopping the stover to optimum lengths.



Learn more : Open the camera app on your smartphone and scan the QR Code.



THE PRO

HORIZON STAR* II

Offering the best of two worlds, Horizon Star* II combines the patented Rota Disc® three-roll picking system and the side-mounted horizontal chopper. This powerful combination produces the best straw management on the market and stands out for superior results, excellent performance and a first-class quality of work.

Trust in Horizon Star* II – it's your guarantee for top performance and perfection in the field.

THE STAND-OUT FEATURES

The best of two worlds:

Two snapping rolls of different diameters grab the plants and tear them down in a controlled move as the 15 cutting discs on the contra-rotating rotor cut the stalk into uniform lengths. The side-mounted horizontal chopper on every row unit severs the stalk nearly at ground level, creating a uniformly short stubble and optimum conditions for the following cultivating pass.

Premium straw management:

The Horizon Star* II produces fine straw chops and spreads them uniformly – for a superior quality of chop that reduces pest pressure.



Learn more : Open the camera app on your smartphone and scan the QR Code.



THE MIRACLE HYBRID

HORIZON STAR* III

Featuring hybrid technology, Horizon Star* III is a true miracle and the only corn head that defibrates the stubble all the way down to the root crown during the picking process – the effective strategy of destroying the winter habitat of the corn borer. The picking system consists of three snapping rolls which cut the corn straw to very short lengths eliminating the need for a third pass. This way, the field is immediately ready for cultivation – a time and cost saving approach.

Trust the innovative hybrid technology which makes Horizon Star* III the world's first corn head that destroys the stubble in the harvesting pass!

THE STAND-OUT FEATURES

Hybrid technology: Horizon Star* III not only features the Rota Disc® three-rotor picking system with two differently sized rotors and one rotor with 15 cutting discs plus a side-mounted horizontal chopper that features a cutting edge and a dull flail.

Protected tires: As the stubble is destroyed by the corn head during the harvesting process, the combine or tractor wheels will not roll on the sharp stubble.

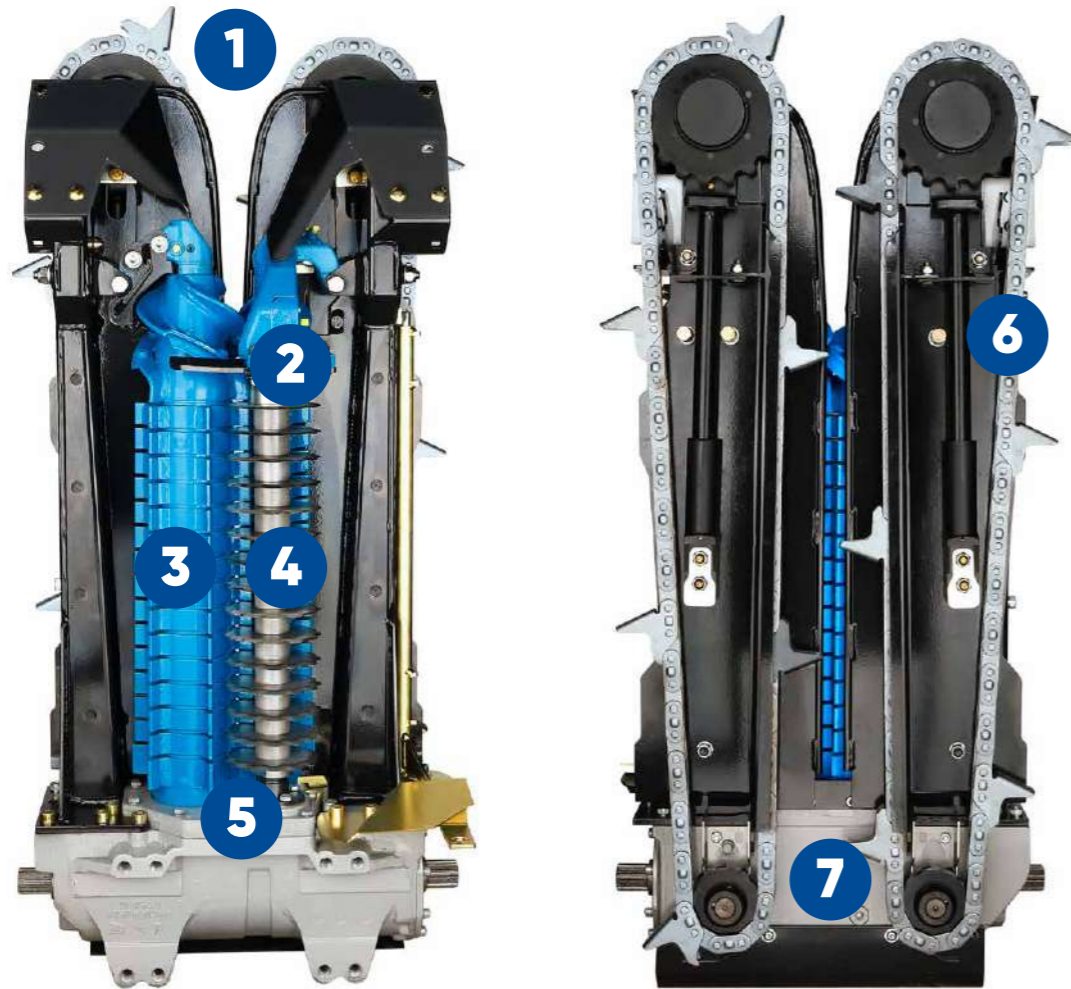
Stronger driveline: Contouring close to the ground at maximum outputs is no problem thanks to the massive driveline.

Reduced fusaria pressure: Chopped to minimum lengths and spread evenly across the full width, the corn straw rots faster reducing the fusaria pressure in the following crop.



Learn more : Open the camera app on your smartphone and scan the QR Code.

EXPLORE THE COMPONENTS OF OUR RD ROW UNIT



BOTTOM-UP VIEW

TOP-DOWN VIEW

1 INTAKE

Our snapping rolls stand out for their reliable Twin bearings on the front ends. The rolls have tungsten carbide flights and hardened scrapers for outstanding longevity and reliable operation.

2 STALK CUTTER

The stalk cutter is protected by a durable coating for maximum service life. It also offers individual adjustment for even greater precision.

3 SNAPPING ROLLS

The two snapping rolls deliver top-notch performance and great longevity thanks to hardened carbide knives with a special coating. Additional working edges minimize debris that may collect in the threshing system, boosting outputs and work rates.

4 CUTTING DISC ROTOR

Our cutting rotor impresses by 15 self-sharpening discs for great performance and longevity. The special coating guarantees maximum durability while individual replacement makes for easiest maintenance.

5 GEARBOX CONNECTOR

This multi-spline shaft makes the smooth connection to the rotors. Its labyrinth seal provides effective protection against the ingress of dirt.

6 GATHERING CHAINS

Automatic chain tensioners and a patented sprocket wheel protect the feeding chains from blockages that are caused by foreign objects, avoiding damage to the gearbox and ensuring maintenance-free operation.

7 ROW UNIT GEARBOXES

This lightweight gearbox housing is made from an aluminum-magnesium alloy. It has an internal and maintenance-free cam clutch that effectively protects the snapping rolls from overload.

TOP-NOTCH PERFORMANCE

Country: Germany
Machine: Mais Star* Horizon 1675

Our corn heads are available in the following paint schemes at no extra charge:



The image shows five different paint schemes for corn heads, arranged vertically. From top to bottom: 1. Red and black. 2. Green and black. 3. Yellow and black. 4. Silver and black. 5. Black and black.



YOUR ADVANTAGES AT A GLANCE

GEARBOX DRIVELINE

Maximum efficiency, low maintenance for more productive uptime and peace of mind at any time, in any site.



ROTORS

Our robust rotors are made from high-quality materials that guarantee smooth operation, maximum longevity and reliability.



DECK PLATES

Our hydraulic deck plates are adjusted steplessly from the cab for gentle treatment of the cobs in any harvest conditions.



TERMINAL

Our terminal digitally displays the picking gap and the speed for monitoring and controlling the corn head. With the buttons the folding process or deckplate adjustment can be activated.



ROW UNIT GEARBOX

Our high-quality gearboxes are housed in aluminum casings and have integral overload clutches that ensure peak performance in any conditions.



CENTER FLEX

These gap-free connectors with integral dampers reduce vibration and absorb peak loads.



CHAIN TENSIONER

Geringhoff is the only manufacturer to offer automatic and permanent chain tensioning for easy and rapid chain replacement.



ACCESSORIES FOR YOUR CORN HEADS

STALK STOMPERS



The stalk stompers are a bespoke development for crushing sharp stubble and protect the tires and tracks on your machines.

END ROW AUGER



Our end row augers improve the crop flow in difficult conditions, keep plant material away from the outer bodies and prevent cob losses.

GROUND SENSOR SYSTEM



These sensors ensure the corn head follows the ground contours automatically for smooth harvest operations and damage protection.

SPEED REDUCTION GEARBOX



The two-speed or four-speed gearbox rapidly reduces the corn head speed for harvesting sunflower gently at minimum losses.

OUTER BODY RAISERS



The optional outer body raisers minimize losses and are particularly useful when harvesting sunflowers and extremely dry corn.

AUTO GUIDANCE



Our auto guidance ensures the corn head runs within the row for superior harvest results.

ACTIVE SUNFLOWER KIT



Powered by the gathering chains, the cutting disc guarantees a uniform cut even at high work rates and in challenging conditions.

PASSIVE SUNFLOWER KIT



The gathering chains feed the sunflowers to the passive cutting edge for a precision cut. The head is easily converted to sunflowers.

EXTRA REEL (ICF)



Designed for challenging conditions, the integral extra reel offers horizontal and vertical adjustment for improving the material flow in down corn, for example.

CHROME PIN GATHERING CHAINS

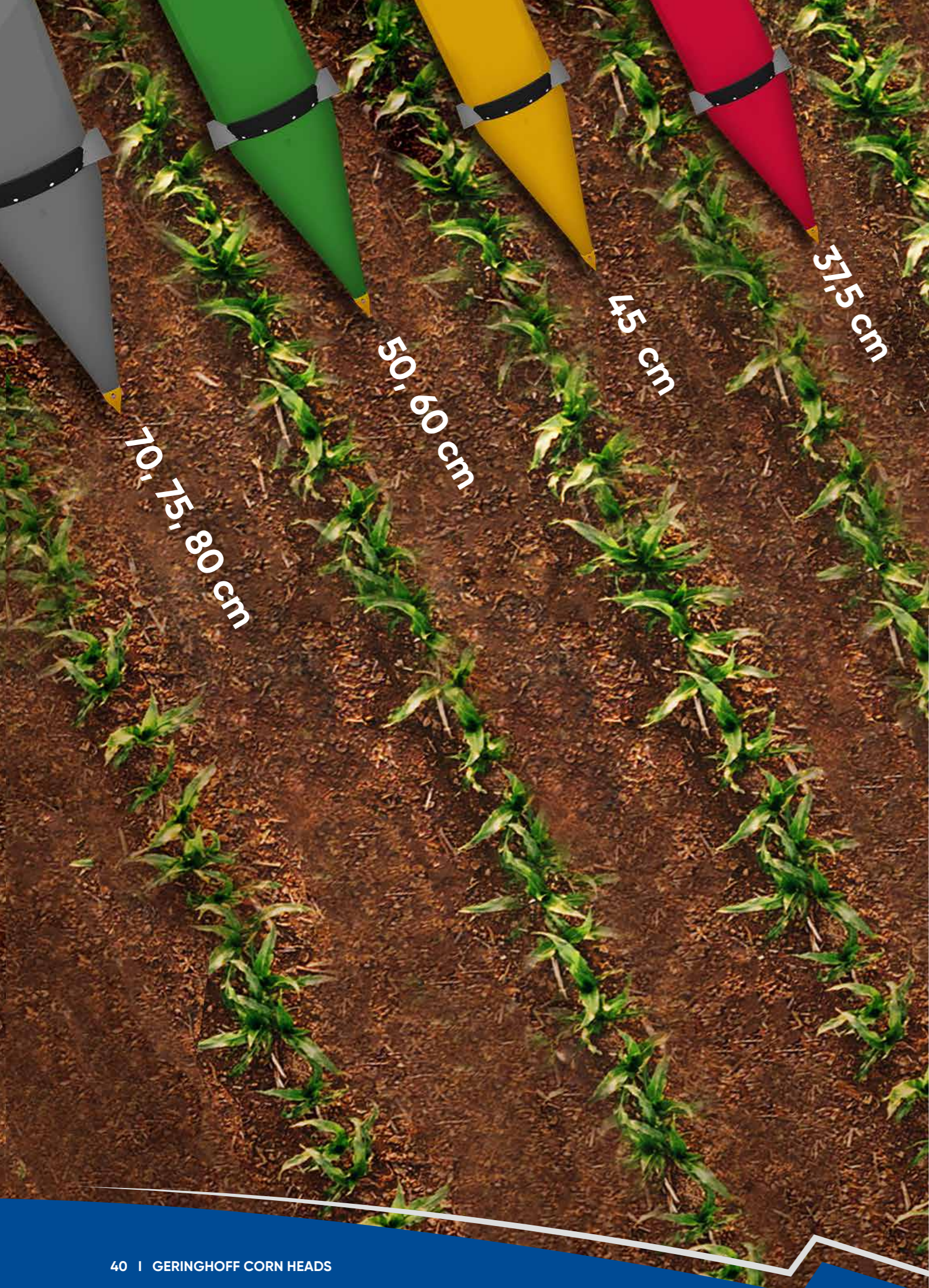


These gathering chains are more durable, offer extended service intervals and reliable operation for reduced downtime even in arduous harvest conditions.

FREEDOM ON YOUR FIELDS

Narrow Rows.
Higher Yields.



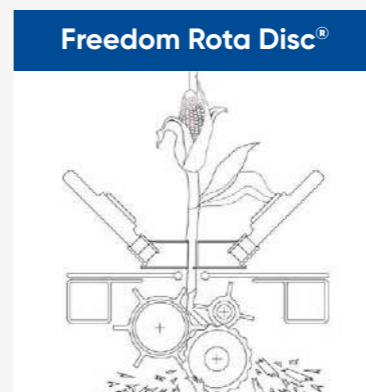


FREEDOM NARROWING THE ROW SPACING

Due to climatic, agronomic and political reasons, maize is best cultivated in tighter row widths. Long-term trials with scientific institutes have shown that growing maize in tighter row spacing leads to higher yields. Geringhoff supplies you with the technology appropriate for your narrow seeding crop.

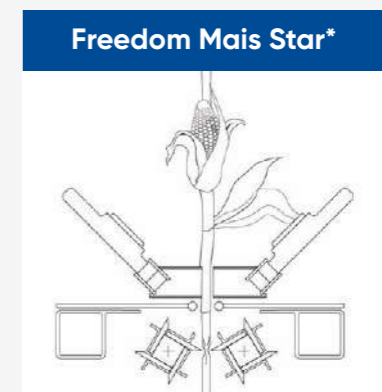
RESULTS:

- The six-year trial carried out in different climates shows that yields change when row widths decrease.
- Narrower row widths do not lead to reduced yields, but may increase yields.
- A changed the seed rate, too, stimulates yield changes.
- An optimal combination of row width, variety and seed rate increases productivity.



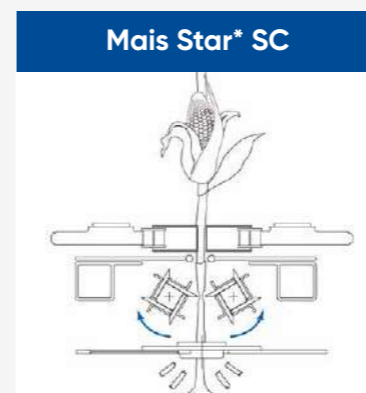
Freedom Rota Disc®

from 37,5 cm and on



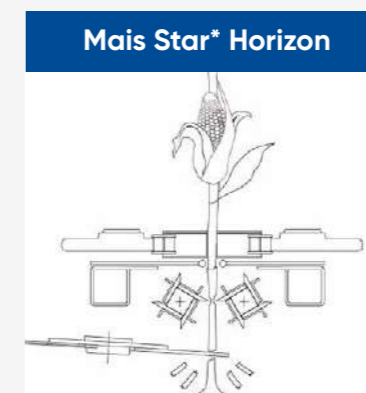
Freedom Mais Star*

from 37,5 cm and on



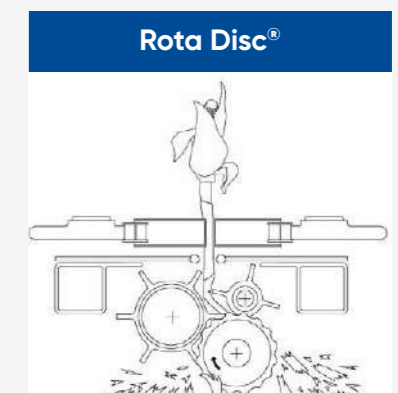
Mais Star* SC

from 45 cm and on



Mais Star* Horizon

from 50 cm and on



Rota Disc®

from 50 cm and on



MAIS STAR* COLLECT

The corn head carries out two operations in one single pass. It picks the cob and gathers the stover from the entire work width into a right hand side swath. Corn stalk presents an intriguing alternative to silage maize as a biogas fuel or forage. The swath is then picked up by a baler, forage wagon or forage harvester.

- + Corn head with straw collection function and right hand side swath
- + The swath is then picked up by a baler, forage wagon or forage harvester
- + The material is not contaminated
- + Less field traffic at the same results
- + The Mais Star* Collect can also be operated as a conventional corn head by covering the collection unit

Learn more here:

Activate your camera, scan the QR code and discover our Mais Star* Collect!





INTERMEDIATE CROP CONVEYOR ASSEMBLY (ZFA)

The intermediate crop conveyor assembly (ZFA) is mounted to a self-propelled forage harvester (for solo use on the forager) and comprises all necessary attachment and drive parts when ordering a new corn head on the forager.

- +
 - +
 - +
 - +
- The intermediate conveyor assembly (ZFA) allows you to use the corn head on a forage harvester
- Chopping the whole cob with the husk leaves results in a high-quality feed
- Multiple use of the corn head: on forage harvesters or on combines
- Available for different brands of forage harvesters

Discover our ZFA in action: activate your camera and scan the QR code!



GERINGHOFF SERVICE



GERINGHOFF ORIGINAL SPARE PARTS

RELY ON ORIGINAL SPARE PARTS FROM GERINGHOFF

Only original Geringhoff parts ensure that your head is functional when you need it. Trust in the uncompromised quality of Geringhoff parts for minimized downtime and maximized uptime. Use original parts from Geringhoff and benefit from the outstanding performance of your corn head for maximum productivity. This way, you ensure an optimum performance of your Geringhoff corn head.

CONTACT

Tel.: +49 (0) 2382 9814 -57/ -58
E-Mail: parts@geringhoff.de

RELIABLE AND FAST – THE GERINGHOFF AFTER SALES SERVICE

Our service engineers are there for you whenever you need help. We offer personal advice and take care of your technical issues. We help without fuss. One phone call may often be enough to offer a preliminary solution and save valuable time that you can spend on the job at hand. Thanks to our excellent network of dealerships and warehouses, we are able to respond rapidly to an emergency situation and ensure your machine is back up and running in no time.

CONTACT

Tel.: +49 (0) 2382 9814 - 44
E-Mail: service@geringhoff.de



MODEL	NO. OF ROWS	MAIN FRAME	ROW WIDTH (CM)	TRANSPORT WIDTH (M)	WEIGHT (KG)*
MS 400	4 rows	Non-folding	70 / 75 / 80	3.15 / 3.17 / 3.27	1,400
MS 500	5 rows	Non-folding	70 / 75 / 80	3.70 / 3.90 / 4.10	1,700
MS 600	6 rows	Non-folding	70 / 75 / 80	4.40 / 4.65 / 4.90	1,900
MS 600 F	6 rows	Folding	70 / 75 / 80	3.30 / 3.30 / 3.30	2,300
MS 800	8 rows	Non-folding	70 / 75 / 80	5.80 / 6.15 / 6.50	2,400
MS 800 F	8 rows	Folding	70 / 75 / 80	3.30 / 3.30 / 3.30	2,900
MS 1200	12 rows	Non-folding	45 / 50 / 70 / 75 / 80	5.85 / 6.40 / 8.60 / 9.15 / 9.75	3,700
MS 1200 F	12 rows	Folding	50 / 70 / 75	4.75 / 4.75 / 4.75 / 4.75	4,000
MS 1600 B	16 rows	Non-folding	45 / 50 / 70 / 75	7.65 / 8.40 / 11.40 / 12.15	5,000
MS 1600 FB	16 rows	Folding	70 / 75	6.35 / 6.35	5,700
MS 1800	18 rows	Non-folding	45 / 50 / 75	8.55 / 9.40 / 13.70	6,000
MS 1800	18 rows	Folding	50 / 75	5.50 / 7.90	6,500
MS 2400	24 rows	Non-folding	50	12.40	6,300
MS 2400	24 rows	Folding	50	6.80	7,200
MODEL	NO. OF ROWS	MAIN FRAME	ROW WIDTH (CM)	TRANSPORT WIDTH (M)	WEIGHT (KG)*
MSSC 400	4 rows	Non-folding	70 / 75 / 80	3.15 / 3.17 / 3.27	1,600
MSSC 500	5 rows	Non-folding	70 / 75 / 80	3.70 / 3.90 / 4.10	1,900
MSSC 600	6 rows	Non-folding	70 / 75 / 80	4.40 / 4.65 / 4.90	2,100
MSSC 600 F	6 rows	Folding	70 / 75 / 80	3.30 / 3.30 / 3.30	2,500
MSSC 800 B	8 rows	Non-folding	70 / 75 / 80	5.80 / 6.15 / 6.50	2,800
MSSC 800 FB	8 rows	Folding	70 / 75 / 80	3.30 / 3.30 / 3.30	3,300
MSSC 1200 B	12 rows	Non-folding	45 / 70 / 75 / 80	5.75 / 8.60 / 9.15 / 9.75	4,300
MSSC 1200 FB	12 rows	Folding	70 / 75	4.75 / 4.75	4,700
MSSC 1800 B	18 rows	Non-folding	45	8.55	5,300
MODEL	NO. OF ROWS	MAIN FRAME	ROW WIDTH (CM)	TRANSPORT WIDTH (M)	WEIGHT (KG)*
MSH 400	4 rows	Non-folding	70 / 75 / 80	3.15 / 3.17 / 3.27	1,700
MSH 500	5 rows	Non-folding	70 / 75 / 80	3.70 / 3.90 / 4.10	2,000
MSH 600	6 rows	Non-folding	70 / 75 / 80	4.40 / 4.65 / 4.90	2,200
MSH 600 F	6 rows	Folding	70 / 75 / 80	3.30 / 3.30 / 3.30	2,600
MSH 700	7 rows	Non-folding	70 / 75 / 80	5.20 / 5.50 / 5.80	2,600
MSH 700 F	7 rows	Folding	70 / 75 / 80	3.75 / 4.00 / 4.20	3,000
MSH 800 B	8 rows	Non-folding	70 / 75 / 80	5.80 / 6.15 / 6.50	2,900
MSH 800 FB	8 rows	Folding	70 / 75 / 80	3.30 / 3.35 / 3.45	3,400
MSH 900 B	9 rows	Non-folding	70 / 75 / 80	6.60 / 7.00 / 7.50	3,300
MSH 900 FB	9 rows	Folding	70 / 75 / 80	3.75 / 3.90 / 4.20	3,800
MSH 1000 B	10 rows	Non-folding	70 / 75 / 80	7.20 / 7.65 / 8.10	3,700
MSH 1000 FB	10 rows	Folding	70 / 75	4.35 / 4.35	4,100
MSH 1200 B	12 rows	Non-folding	50 / 70 / 75 / 80	6.45 / 8.60 / 9.15 / 9.75	4,400
MSH 1200 FB	12 rows	Folding	50 / 70 / 75	3.75 / 4.88 / 4.88	4,800
MSH 1600 B	16 rows	Non-folding	50 / 70 / 75	8.40 / 11.40 / 12.15	5,800

MODEL	NO. OF ROWS	MAIN FRAME	ROW WIDTH (CM)	TRANSPORT WIDTH (M)	WEIGHT (KG)*
RD 400	4 rows	Non-folding	70 / 75 / 80	3.15 / 3.17 / 3.27	1,600
RD 500	5 rows	Non-folding	70 / 75 / 80	3.70 / 3.90 / 4.10	1,800
RD 600	6 rows	Non-folding	70 / 75 / 80	4.40 / 4.65 / 4.90	2,000
RD 600 F	6 rows	Folding	70 / 75 / 80	3.30 / 3.30 / 3.30	2,400
RD 700	7 rows	Non-folding	70 / 75 / 80	5.15 / 5.45 / 5.75	2,300
RD 700 F	7 rows	Folding	70 / 75 / 80	3.70 / 3.70 / 3.90	2,800
RD 800 B	8 rows	Non-folding	70 / 75 / 80	5.80 / 6.15 / 6.50	2,600
RD 800 FB	8 rows	Folding	70 / 75 / 80	3.30 / 3.30 / 3.30	3,100
RD 900 B	9 rows	Non-folding	50 / 70 / 75 / 80	4.95 / 6.60 / 7.00 / 7.50	2,900
RD 900 FB	9 rows	Folding	50 / 70 / 75 / 80	3.90 / 3.75 / 3.75 / 4.00	3,500
RD 1200 B	12 rows	Non-folding	50 / 70 / 75 / 80	6.45 / 8.60 / 9.15 / 9.75	3,900
RD 1200 FB	12 rows	Folding	50 / 70 / 75	3.60 / 4.75 / 4.75	4,300
RD 1600 B	16 rows	Non-folding	50 / 70 / 75	8.40 / 11.40 / 12.15	5,200
RD 1600 FB	16 rows	Folding	70 / 75	6.35 / 6.35 / 6.35	5,900
RD 1800	18 rows	Non-folding	50 / 75	9.40 / 13.70	6,500
RD 1800	18 rows	Folding	50 / 75	5.50 / 7.90	7,000
RD 2400	24 rows	Non-folding	50	12.40	6,700
RD 2400	24 rows	Folding	50	6.80	7,600

MODEL	NO. OF ROWS	MAIN FRAME	ROW WIDTH (CM)	TRANSPORT WIDTH (M)	WEIGHT (KG)*
HSII 400	4 rows	Non-folding	70 / 75 / 80	3.15 / 3.17 / 3.27	1,700
HSII 500	5 rows	Non-folding	70 / 75 / 80	3.70 / 3.90 / 4.10	2,000
HSII 600	6 rows	Non-folding	70 / 75 / 80	4.40 / 4.65 / 4.90	2,200
HSII 600 F	6 rows	Folding	70 / 75 / 80	3.30 / 3.30 / 3.30	2,600
HSII 700	7 rows	Non-folding	70 / 75 / 80	5.20 / 5.50 / 5.80	2,600
HSII 700 F	7 rows	Folding	70 / 75 / 80	3.75 / 4.00 / 4.20	3,000
HSII 800 B	8 rows	Non-folding	70 / 75 / 80	5.80 / 6.15 / 6.50	2,900
HSII 800 FB	8 rows	Folding	70 / 75 / 80	3.30 / 3.35 / 3.45	3,400
HSII 900 B	9 rows	Non-folding	70 / 75 / 80	6.60 / 7.00 / 7.50	3,300
HSII 900 FB	9 rows	Folding	70 / 75 / 80	3.75 / 3.90 / 4.20	3,800
HSII 1200 B	12 rows	Non-folding	70 / 75 / 80	8.60 / 9.15 / 9.75	4,300
HSII 1200 FB	12 rows	Folding	70 / 75	4.88 / 4.88	4,700
HSII 1600 B	16 rows	Non-folding	70 / 75	11.40 / 12.15	5,600

MODEL	NO. OF ROWS	MAIN FRAME	ROW WIDTH (CM)	TRANSPORT WIDTH (M)	WEIGHT (KG)*
HSIII 600 FB	6 rows	Folding	70 / 75 / 80	3.30	2,850
HSIII 800 FB	8 rows	Folding	70 / 75 / 80	3.30 / 3.35 / 3.45	3,550

*NOTE: Weight specifications may vary depending on the combine harvester model and the level of specification. Weights refer to machines with a row width of 75cm. Should the 75cm row width not be specified for a machine, the weight will refer to the row width specified. The actual weight may vary depending on actual row widths.

HEAD OF THE CLASS NO MATTER THE CROP



Curious?
Then open the camera app on your smartphone, scan the QR
Code and get in touch with our sales partner now.



Specifications are subject to change.

Carl Geringhoff

Vertriebsgesellschaft mbH & Co. KG

Porschestrasse 8
D-59227 Ahlen
Germany

Phone Number: +49 2382 9814 - 0

E-mail: info@geringhoff.de

www.geringhoff.com

Follow @geringhoff on Social Media:

